

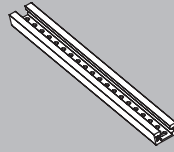
Rail aislante  
 Rail isolant  
 Strut channel  
 Tragschiene  
 Perfil suportе  
 Prof. Sosp. Isol.



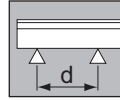
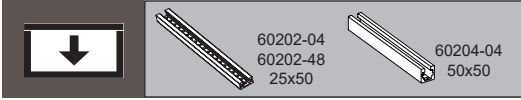
Montaje  
 Montage  
 Assembly  
 Montage  
 Montagem  
 Montaggio



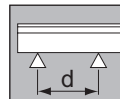
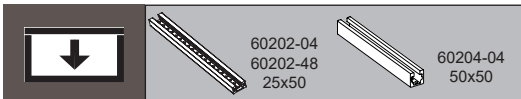
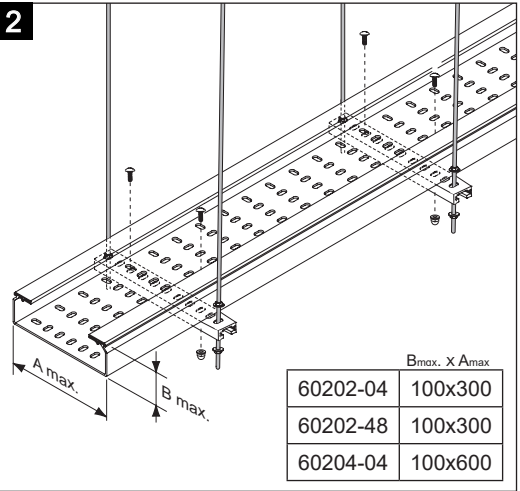
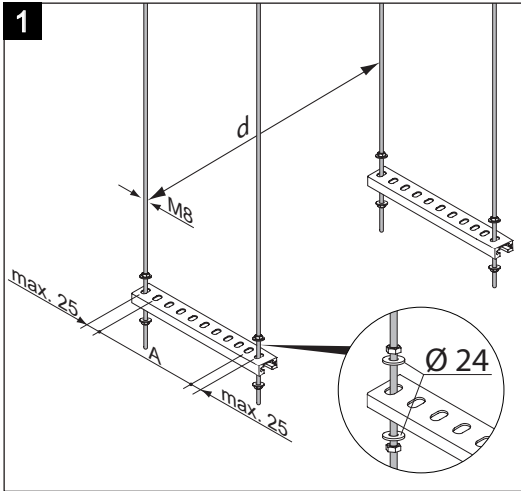
Desmontaje  
 Démontage  
 Disassembly  
 Demontage  
 Desmontagem  
 Smontaggio



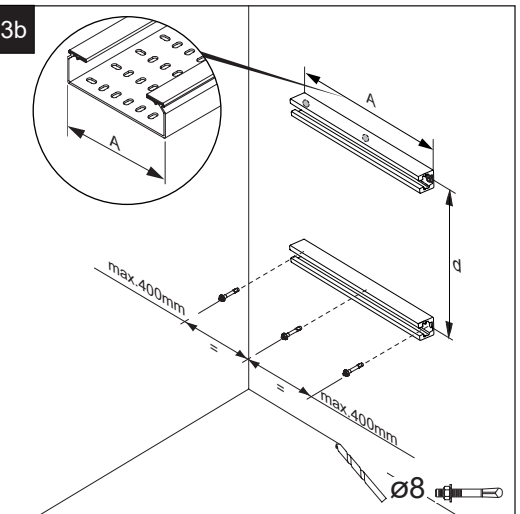
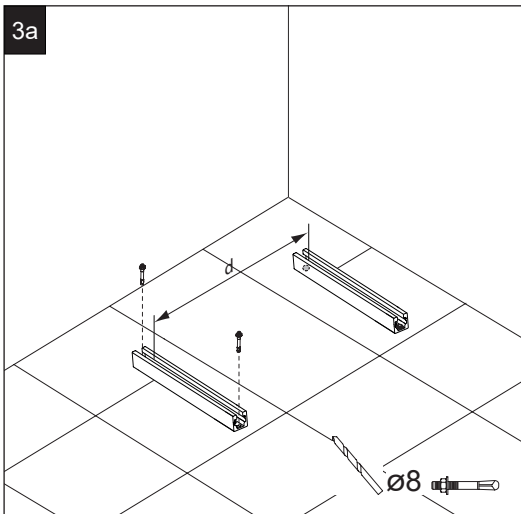
IMD 60202.6



	U23X	U48X	
T	40°C	40°C	60°C
d	1,5 m	1,5 m	1 m



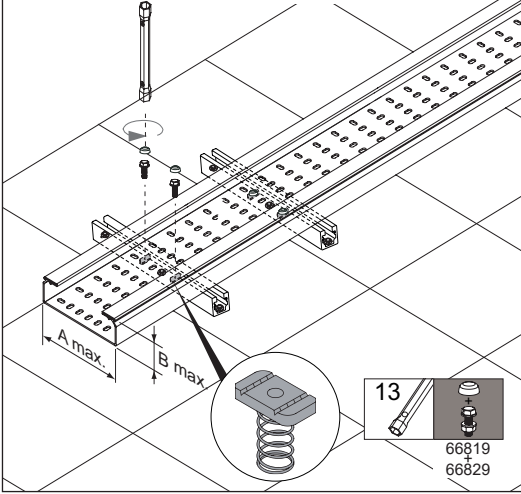
	U23X	U48X	
T	40°C	40°C	60°C
d	1,5 m	1,5 m	1 m



4a

B<sub>max.</sub> x A<sub>max.</sub>

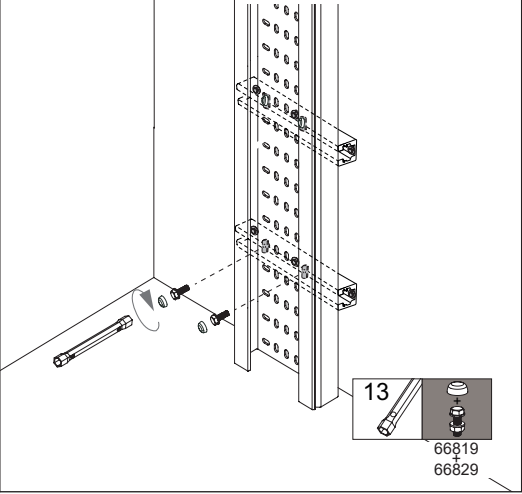
60202-04	100x600
60202-48	100x600
60204-04	100x600



4b

B<sub>max.</sub> x A<sub>max.</sub>

60202-04	100x600
60202-48	100x600
60204-04	100x600



5



60202-04  
60202-48  
25x50



67741-48  
Ø min.28  
Ø max.34



67751-48  
Ø min.34  
Ø max.40



67761-48  
Ø min.40  
Ø max.46



67771-48  
Ø min.46  
Ø max.52



67791-48  
Ø min.58  
Ø max.64

