



Power supply
system for
work spaces

Service post 50

raw material

U24X

colour

Grey

Anthracite

For supply of work spaces from the floor in open-plan rooms

- Flexible modules enabled to properly lodge the required switches and sockets within a minimum of space, fitting well with the furniture distribution.
- **Innovatory, functional and minimalist design**, created to coexist with all kinds of settings.
- Solid and safe structures, easy to install and to relocate.

Raw material




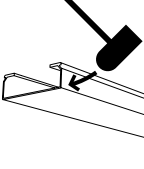
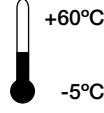
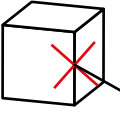

Service post



Compliant



Technical characteristics

| Electrical | Mechanical | Temperature | Protection degree | In front of fire |
|---|---|--|---|---|
|  <p>EN 50085-2-4*</p> <p>Insulating material.</p> <hr/> <p>No earthing required.</p> |  <p>EN 50085-2-4*</p> <p>IK07.</p> |  <p>EN 50085-2-4*</p> |  <p>EN 50085-2-4*</p> <p>IP4X.</p> |  <p>Glow-wire test at 960°C.</p> <hr/> <p>Non flame propagating.</p> |

* BS EN 50085-2-4 is the UK implementation of EN 50085-2-4.



Colour

Grey

RAL 7035

Anthracite

Quality marks



Conformity declaration



See updated technical
information of each
part number on
www.unex.net



Sports facilities: fitness center



Work spaces: office



Work spaces: office



Recreational and cultural facilities



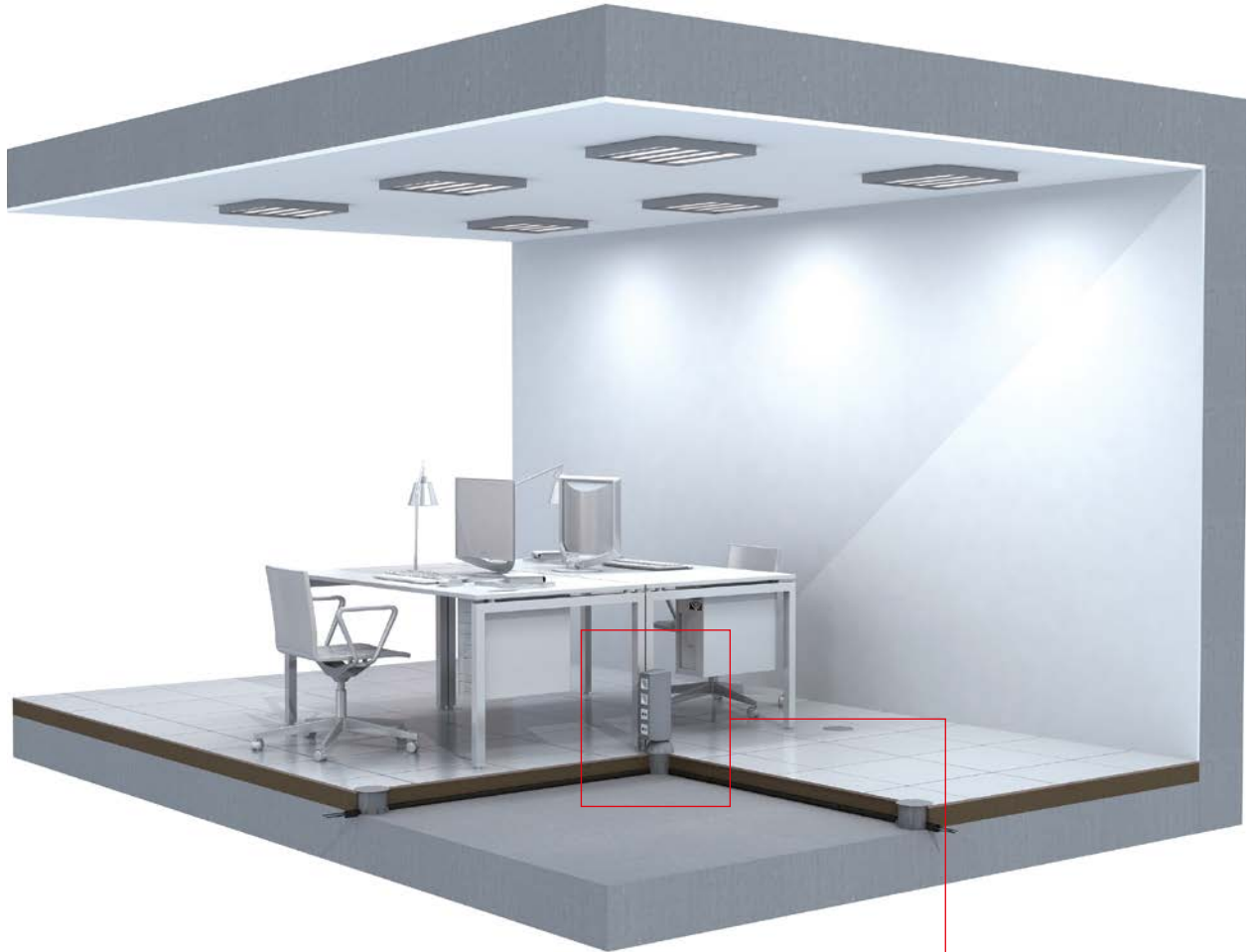
Public service building: office



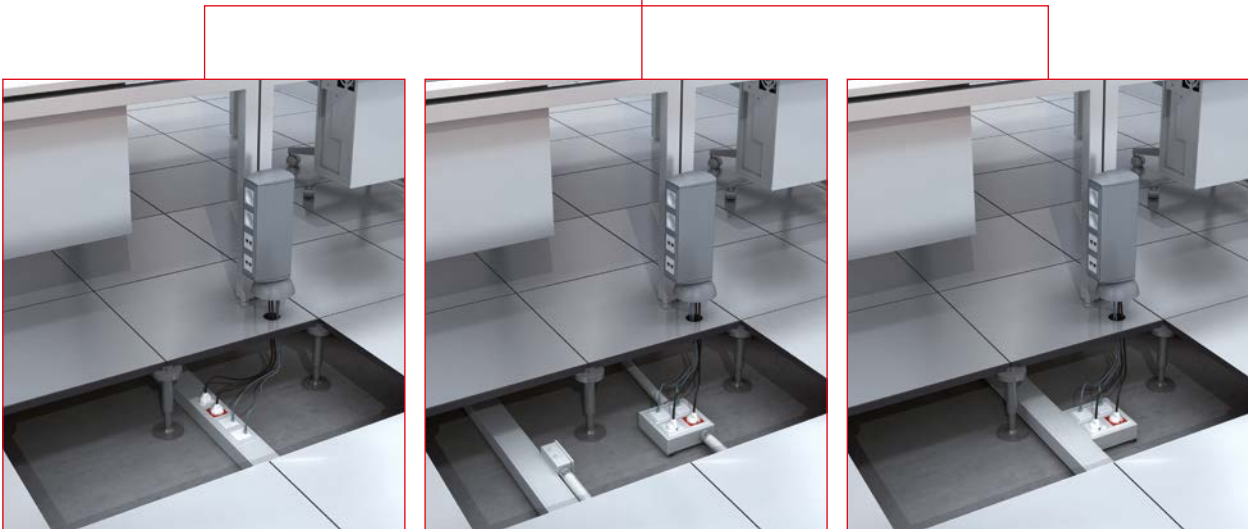
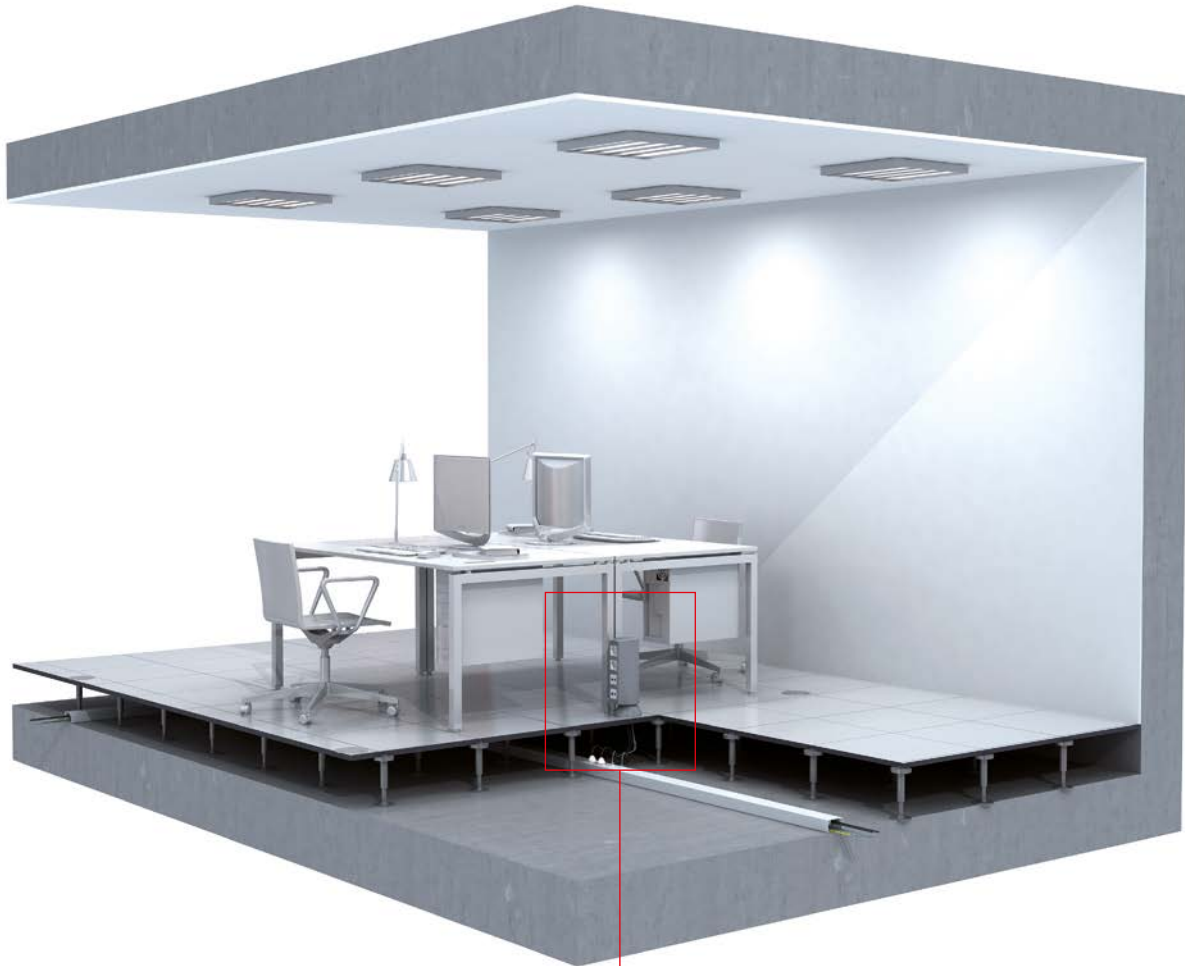
Work spaces: office

Supply options

From the floor

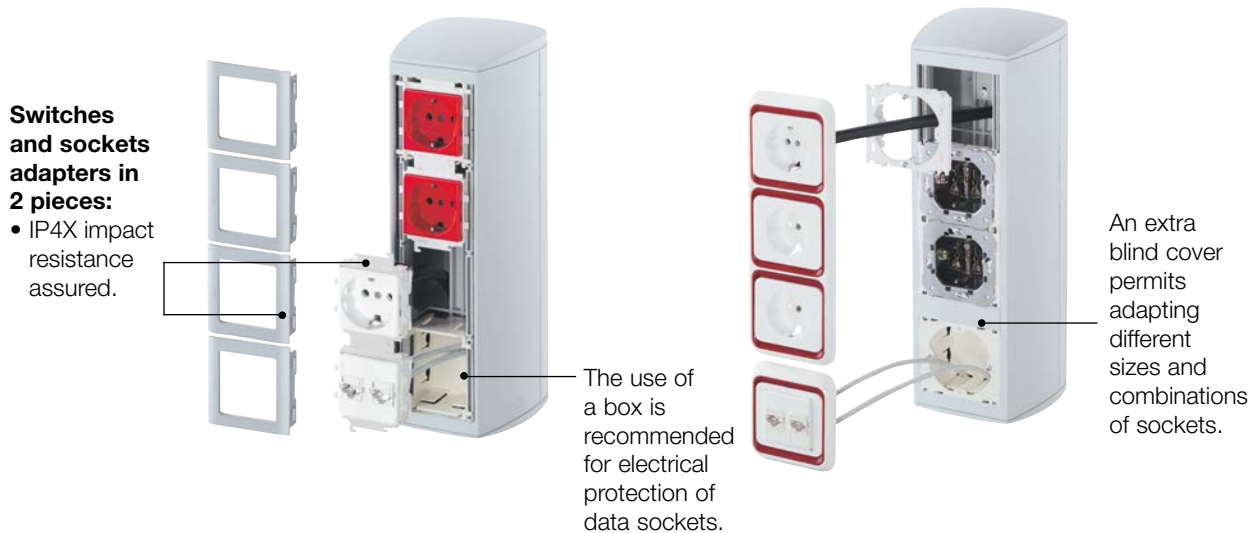


From technical floor



Mounting of switches and sockets

Safe and easy installation



A system adapted to each work space



One-face service post has 4 outlets. You can choose them from these 2 colours:

- Grey RAL 7035.
- Anthracite.

Two-face service post have 8 outlets. You can choose them from these 2 colours:

- Grey RAL 7035.
- Anthracite.

Two-face service post have 16 outlets in colour:

- Grey RAL 7035.

Flexibility to combine a variety of switches and sockets

Electrical outlets

Universal CEE-7 (1)



- Niessen* Olas, Arco, Tacto, Zenit and Stylo.
- BJC*.
- Jung*.
- Simon* 31, 75, 88, 82.
- Mosaic*.
- Valena*.
- Bticino*.
- Eunea*.
- Berker*.
- Gewiss*.

Industrial socket box



- Mennekes*.
- ABL*.
- Simon*.

Modular



- Niessen Zenit*.
- Simon* 27.
- Simon Connect* K45 and compatible.
- Mosaic*.
- Eunea Unica*.
- BJC Sol*.

Modular double



- Mosaic*.
- Simon Connect* K45 "linkable".
- Eunea Unica*.
- Simon CIMA 500*.

Modular triple



- Simon Connect* K45 "linkable".
- Mosaic*.

Universal



- Niessen* Zenit.
- Bticino*.
- Unica-Allegro* (3 modules).
- Gewiss*.

DIN (Bipolar)



- MCB's (Miniature circuit breakers).
- RCD's (Residual current devices).

Data connectors

Flat plate 1 RJ45



- Compatible with:
- Systemax solutions.
 - Universal type Keystone.

Flat plate 2 RJ45



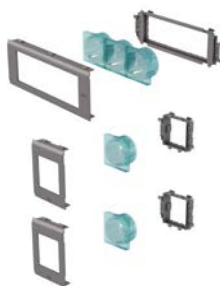
- Compatible with:
- Systemax solutions.
 - Universal type Keystone.

Angled plate 2 RJ45



- Compatible with:
- Universal type Keystone.

Mounting of 5 modular outlets in a socket box 80 mm



1 triple adapter +
2 single adapters



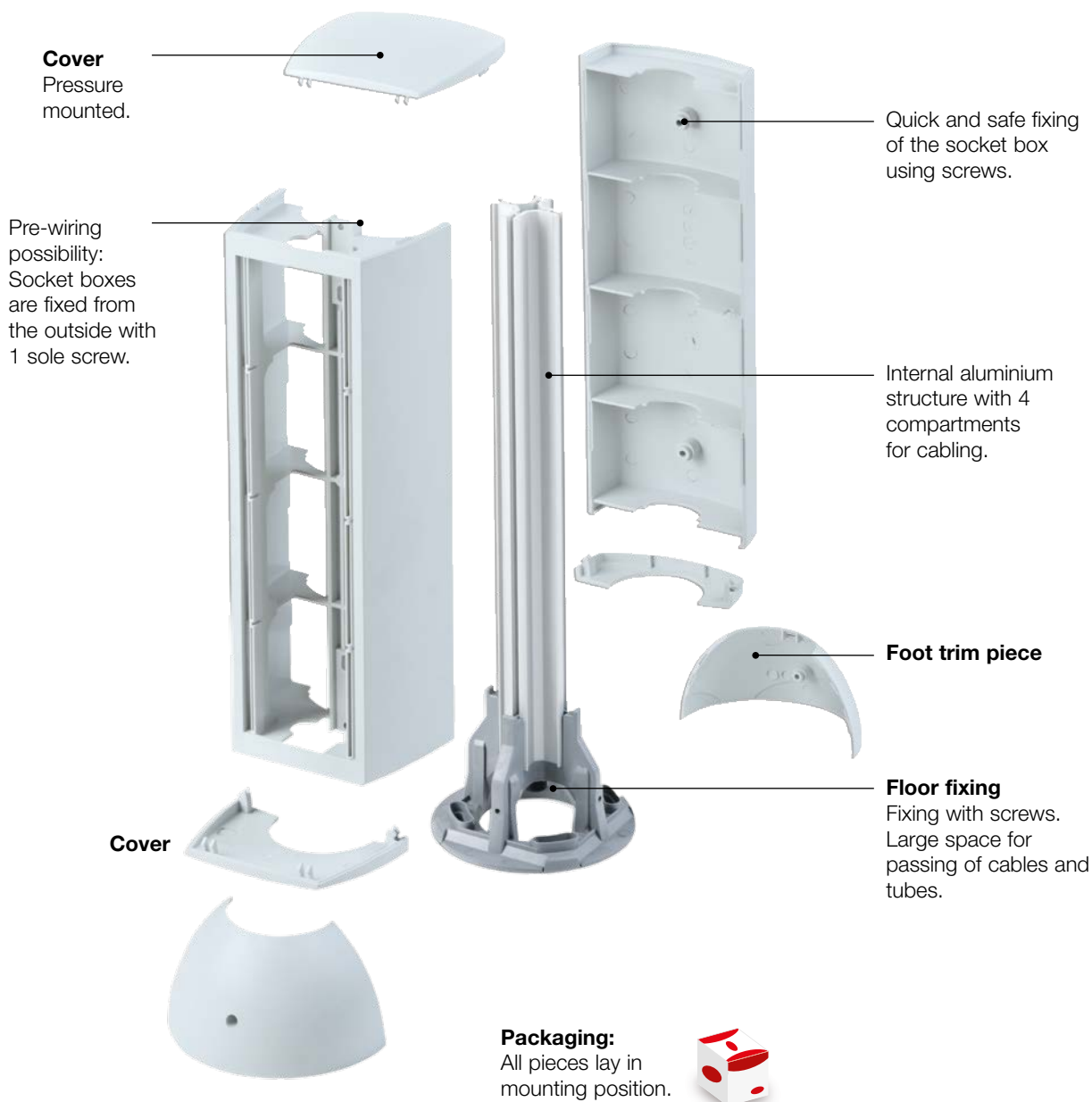
1 triple adapter +
1 double adapter

Reduced stock of fittings. Same system for mounting switches and sockets for: Trunking 93, Modular box 85, Service pole 50, Service post 50 and Furniture supply 51

(1) It is not possible to mount 4 simple adapters; possible combinations: 1+3, 2+2 or 1 adapter for 4 outlets.

* These brands belong to third parties; they are not related to Unex aparellaje eléctrico, S.L.

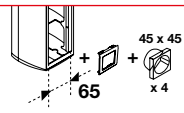
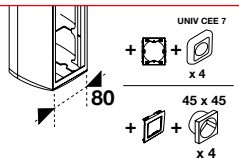




Easy and comfortable mounting



Switches and sockets width (mm)

65

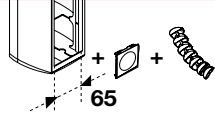
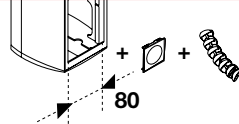

80


| | <p>Grey RAL 7035 (Part no. 50xxx)</p> <p>Anthracite (Part no. 50xxx-05)</p> |  |  |
|--|---|--|---|
|  | <p>Service post 4 outlets To install 4 switches and sockets.</p> | 50623 | 50624 |
| | | 50623-05 | 50624-05 |
|  | <p>Service post 8 outlets To install 4 switches and sockets on each side.</p> | 50723 | 50724 |
| | | 50723-05 | 50724-05 |
|  | <p>Service post 16 outlets To install 8 switches and sockets on each side.</p> | 50743 | 50744 |
|  | Adapters | Essential to mount switches and sockets (See table pages 218-219). | |

Mounting of Service post on Floor box 52 in U24X (See Floor Box 52)

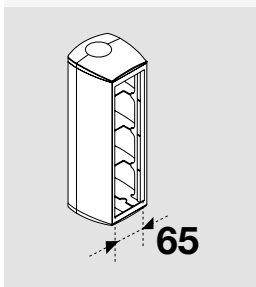
| | | |
|---|------------------|--------------|
|  | Floor box | 52802 |
|---|------------------|--------------|

Flexible runway 51 adapters in U24X (See Furniture supply 51)

| | <p>White RAL 9010 (Part no. 51xxx-2)</p> <p>Aluminium RAL 9006 (Part no. 51xxx-03)</p> |  |  |
|---|--|---|---|
|  | <p>Modular adapter for Flexible runway 51</p> | 51623-2 | 51624-2 |
| | | 51623-03 | 51624-03 |

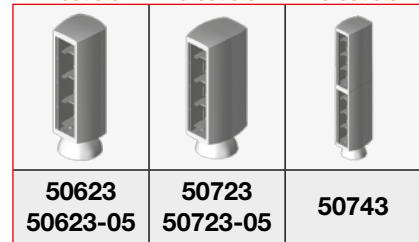
See next page 

Adapters for service posts socket boxes 65 mm. width



White RAL 9010 (Part no. 93xxx-2)
Aluminium RAL 9006 (Part no. 93xxx-03)

Service post 4 outlets Service post 8 outlets Service post 16 outlets



Single plate RJ45

| | | | |
|--|--------------|--------------------|---------------------|
| | Flat 1RJ45 | 93749-2 (1) | 93749-03 (1) |
| | Flat 2RJ45 | 93751-2 (1) | 93751-03 (1) |
| | Angled 2RJ45 | 93753-2 (2) | 93753-03 (2) |

Single adapter

| | | | |
|--|------------------------|--------------------|---------------------|
| | Niessen Zenit* | 93635-2 (3) | 93635-03 (3) |
| | BJC* Sol | 93663-2 | 93663-03 |
| | Simon* 27 | 93621-2 | 93621-03 |
| | Simon Connect* K45 | 93608-2 (4) | 93608-03 (4) |
| | Mosaic* and compatible | 93608-2 | 93608-03 |
| | Eunea Unica* | 93653-2 | 93653-03 |

Double adapter + |

| | | | |
|--|------------------------|--------------------|---------------------|
| | Simon Connect* K45 | 93613-2 (4) | 93613-03 (4) |
| | Mosaic* and compatible | 93613-2 | 93613-03 |
| | Eunea Unica* | 93656-2 | 93656-03 |
| | Simon CIMA 500* | 93640-2 | 93640-03 |

Adapter DIN (5)

| | | | |
|--|--|----------------|-----------------|
| | | 93648-2 | 93648-03 |
|--|--|----------------|-----------------|

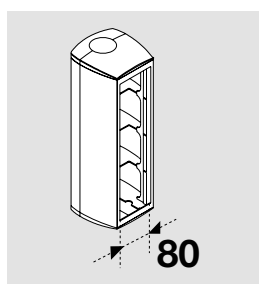
Socket boxes (6)

| | Single adapter | Double adapter |
|--|----------------|----------------|
| | 93713 | 93718 |

(1) Compatible with RJ45 Systimax solutions and Universal type Keystone (AMP, Krone, Nexans, Jetlan, Belden, Brand-Rex and OPENETICS). For specific types or brands, please contact us.
 (2) Compatible with RJ45 Universal type Keystone (AMP, Krone, Nexans, Jetlan, Belden, Brand-Rex and OPENETICS). For specific types or brands, please contact us.
 (3) The adapters for Niessen Zenit outlets are designed for horizontal mounting. In vertical mounting cases, outlets will rotate 90° degrees from their original position.
 (4) Most of the switches and sockets of K type are compatible with this adapter. However, there are some part numbers (for example KB076, KB76, K130A, 2u. KA76, 2u. K302 + K115, etc.) that can only be mounted on the double plate 93613-2/93613-03.
 (5) For electrical outlets DIN the box 93718 is necessary to fix the outlet to the service post.
 (6) The use of the box is necessary to assure the separation of circuits.
 *These brands belong to third parties; they are not related to Unex aparellaje eléctrico, S.L.

See next page

Adapters for the service pole's socket boxes 80 mm. width



White RAL 9010 (Part no. 93xxx-2)

Aluminium RAL 9006 (Part no. 93xxx-03)

Service post 4 outlets Service post 8 outlets Service post 16 outlets

| | | |
|--------------------------|--------------------------|--------------|
| | | |
| 50624 50624-05 | 50724 50624-05 | 50744 |



Universal single adapter (1)

| | | |
|--|----------------------|--------------|
| | Universal CEE-7 | 93604 |
| | Universal outlet box | 93709 |

Single industrial outlet box (2)

| | | |
|--|--|--------------|
| | | 93708 |
|--|--|--------------|

Single plate RJ45

| | | | |
|--|--------------|--------------------|---------------------|
| | Flat 1RJ45 | 93750-2 (3) | 93750-03 (3) |
| | Flat 2RJ45 | 93752-2 (3) | 93752-03 (3) |
| | Angled 2RJ45 | 93754-2 (4) | 93754-03 (4) |

Single adapter

| | | | |
|--|------------------------|--------------------|---------------------|
| | Niessen Zenit* | 93636-2 (5) | 93636-03 (5) |
| | BJC* Sol | 93664-2 | 93664-03 |
| | Simon* 27 | 93622-2 | 93622-03 |
| | Simon Connect* K45 | 93609-2 (6) | 93609-03 (6) |
| | Mosaic* and compatible | 93609-2 | 93609-03 |
| | Eunea Unica* | 93654-2 | 93654-03 |

Double adapter |

| | | | |
|--|------------------------|--------------------|---------------------|
| | Simon CIMA 500* | 93641-2 | 93641-03 |
| | Simon Connect* K45 | 93614-2 (6) | 93614-03 (6) |
| | Mosaic* and compatible | 93614-2 | 93614-03 |
| | Eunea Unica* | 93657-2 | 93657-03 |
| | Universal | 93644-2 (7) | 93644-03 (7) |

Triple adapter | |

| | | | |
|--|------------------------|--------------------|---------------------|
| | Simon Connect* K45 | 93619-2 (6) | 93619-03 (6) |
| | Mosaic* and compatible | 93619-2 | 93619-03 |

Adapter DIN (8)

| | | | |
|--|--|----------------|-----------------|
| | | 93649-2 | 93649-03 |
|--|--|----------------|-----------------|

Socket boxes (9)

| | Single adapter | Double adapter | Triple adapter |
|--|----------------|----------------|----------------|
|--|----------------|----------------|----------------|

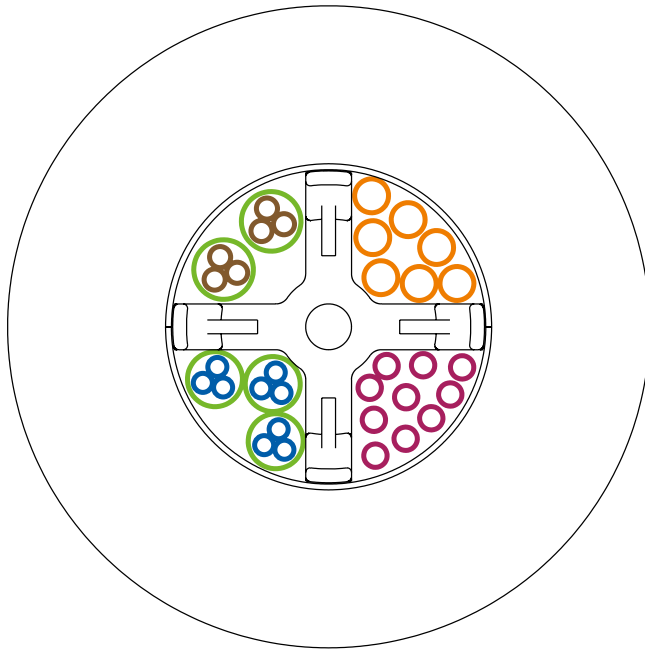
| | | | |
|--|--------------|-------------------|-------------------|
| | 93714 | 93719 (10) | 93729 (10) |
|--|--------------|-------------------|-------------------|

- (1) Frames shall be supplied by the socket manufacturer. We recommend frames with straight corners.
 - (2) Box for industrial outlets, compatible with some outlets from Mennekes brand and others. Can be installed 3 outlets per module. Please contact us for details.
 - (3) Compatible with RJ45 Systemax solutions and Universal type Keystone (AMP, Krone, Nexans, Jetlan, Belden, Brand-Rex and OPENETICS). For specific types or brands, please contact us.
 - (4) Compatible with RJ45 Universal type Keystone (AMP, Krone, Nexans, Jetlan, Belden, Brand-Rex and OPENETICS). For specific types or brands, please contact us.
 - (5) The adapters for Niessen Zenit outlets are designed for horizontal mounting. In vertical mounting cases, outlets will rotate 90° degrees from their original position.
 - (6) Most of the switches and sockets of K type are compatible with this adapter. However, there are some part numbers (for example KB076, KB76, K130A, 2u. KA76, 2u. K302 + K115, etc.) that can only be mounted on the double plate 93614-2/93619-03 or on the triple plate 93619-2/93619-03 in the central area, placing blind lids on the sides.
 - (7) 1, 2 or 3 outlets of 25mm. module can be installed.
 - (8) For electrical outlets DIN, the box 93719 is necessary to fix the outlet to the service post.
 - (9) The use of the box is necessary to assure the separation of circuits.
 - (10) Includes a divider part no. 93720 to separate circuits in connections. It can also be sold individually.
- *These brands belong to third parties; they are not related to Unex aparellaje eléctrico, S.L.

Useful cross-sections for wiring

Wiring example

Service post



Data cables:

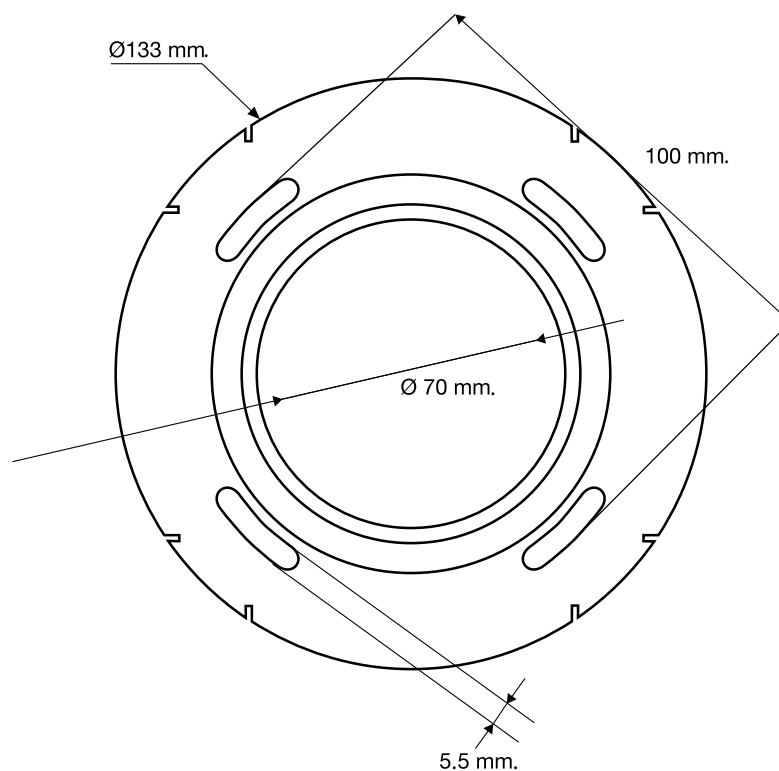
- 7 pcs. cable STP 4 pairs. Maximum Ø7.4 mm.
- 10 p. UTP 4 pairs. Maximum Ø5.1 mm.

Power cables:

- ⊗ 2 pcs. 0.6/1kV RV-K 3G2.5. Maximum Ø13 mm.
- ⊗ 3 pcs. 0.6/1kV RV-K 3G2.5. Maximum Ø12 mm.

Sizes

For fixing the service post without a floor box



COPYRIGHT: All trademarks, brands or distinctive signs, of any kind, that might appear in the present website are the property of Unex aparellaje eléctrico, S.L. or of third parties. The use or access to the present website and/or to its services should not be interpreted, under no circumstances, as conferring any rights to the User on the mentioned trademarks, brands or distinctive signs.

Furthermore, all Contents are the property of Unex aparellaje eléctrico, S.L. or of third parties. As stated in the mentioned Legal Notice, none of the operation rights existing or that might exist about the mentioned Contents should be understood as transferable to the User, beyond those strictly necessary for the correct use of the Portal and the Services.

