

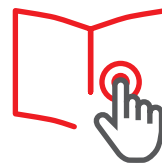
Trunking

07

07

Cable conduction system for machinery supply

Product family information



Thermoplastic raw material: PVC

U23X

Added value

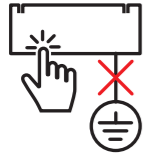
Can be opened without tools.

Insulating material: no earthing required nor equipotential connection.

 **UL** US

Technical characteristics

ELECTRICAL



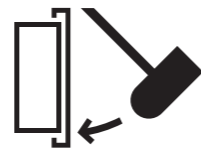
No earthing required.

SERVICE TEMPERATURE



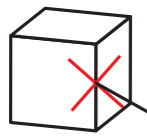
-25°C / +60°C

MECHANICAL



IK04

PROTECTION DEGREE



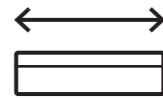
IP3X

IN FRONT OF FIRE



Non flame propagating.

LENGTH



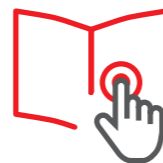
2 m

CE MARKING



Conformity with standard
EN 50085-2-1:2006 +
EN 50085-2-1/A1:2011

For more detailed
information see data sheet



Conformity declaration



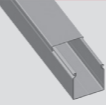

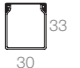
Quality Marks



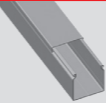
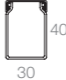
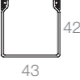
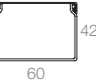
Approvals



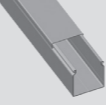




Heights 25, 30 mm

Trunking sizes (mm)		25x20	30x30
	Dimensions (mm)		
	Trunking 2 m	25.20.07	30.30.07

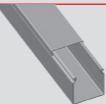


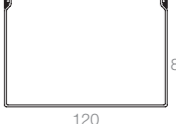
Height 40 mm

Trunking sizes (mm)		40x30	40x40	40x60
	Dimensions (mm)			
	Trunking 2 m	40.30.07	40.40.07	40.60.07

Height 60 mm

Trunking sizes (mm)		60x60	60x80	60x100	60x120
	Dimensions (mm)				
	Trunking 2 m	60.60.07	60.80.07	60.100.07	60.120.07

Height 80 mm

Trunking sizes (mm)		80x60	80x80	80x120
	Dimensions (mm)			
	Trunking 2 m	80.60.07	80.80.07	80.120.07