



Cable conduction
system for
HVAC

Trunking 30

raw material
colour

U23X

White



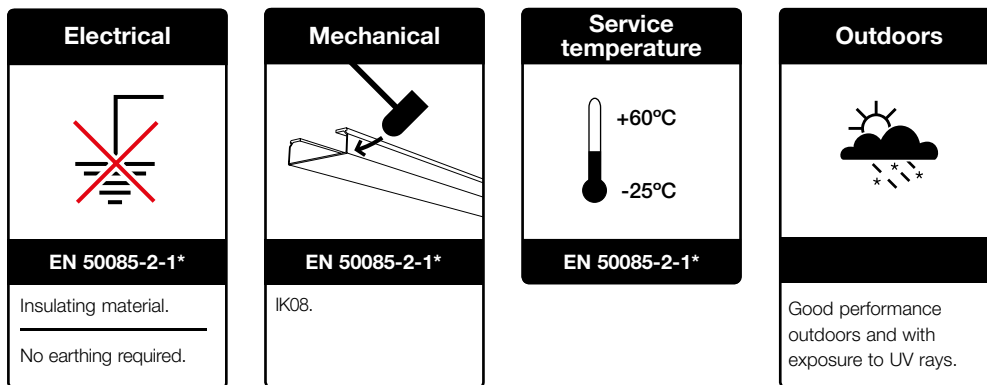
For conduction and neat finishing of HVAC installations with split-type equipment

- **Suitable for outdoor use.**
- Firm holding of the cover.
- Complete system of fittings.
- Can be painted.
- **Protective film** for preserving the product's features during transport and handling.

Raw material



Technical characteristics



* BS EN 50085-2-1 is the UK implementation of EN 50085-2-1.

Trunking

30 **U23X**
White



Length

2 m

Colour

White

RAL 9010

Quality marks



Approvals



Ф3 от 22.07.08 N 123-Ф3
ГОСТ Р 53313-2009

Conformity declaration



See updated technical
information of each
part number on
www.unex.net

30

U23X
White

Trunking



Apartment building renovation



Apartment building renovation



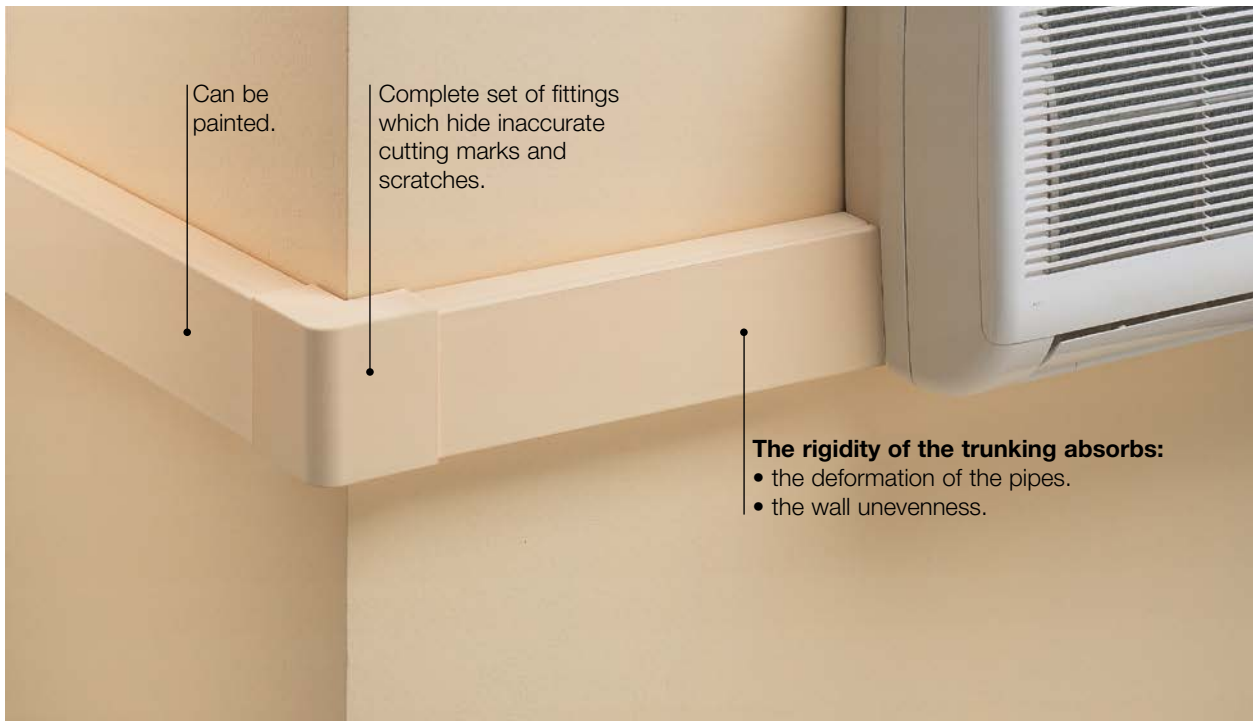
Housing



Housing

Neat finishing

Fittings

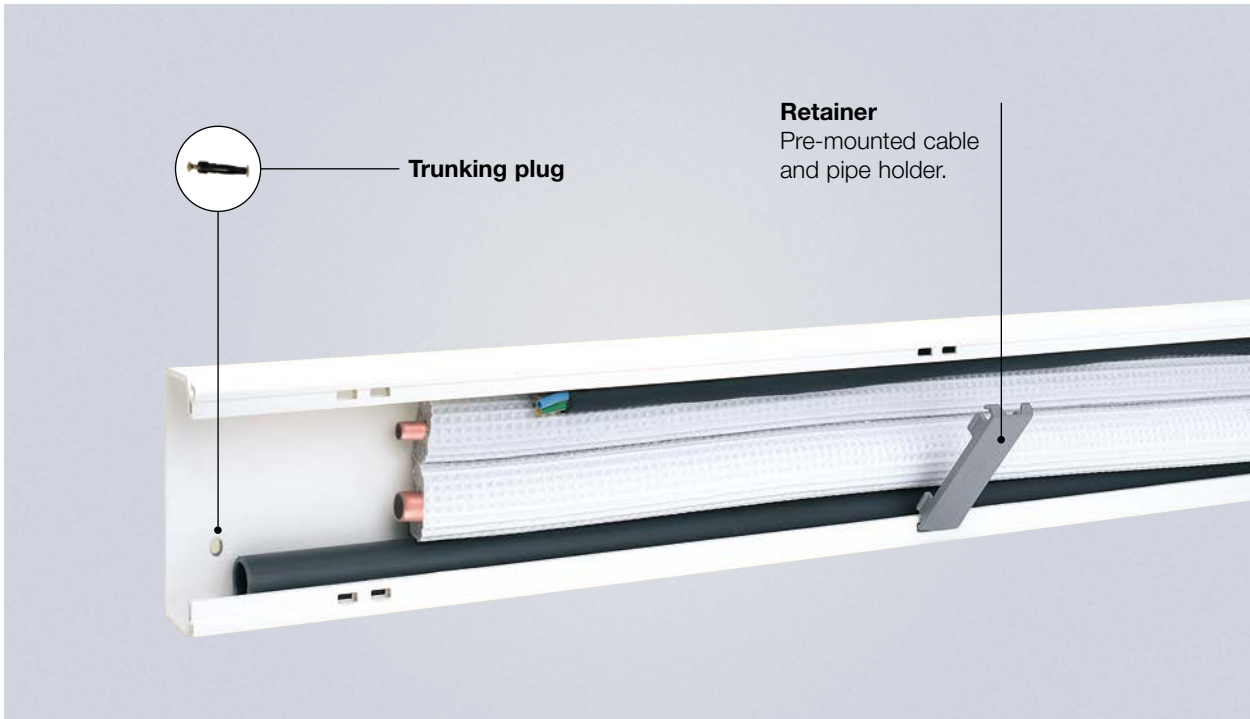


Safety



Easy mounting

Trunkings and pipes

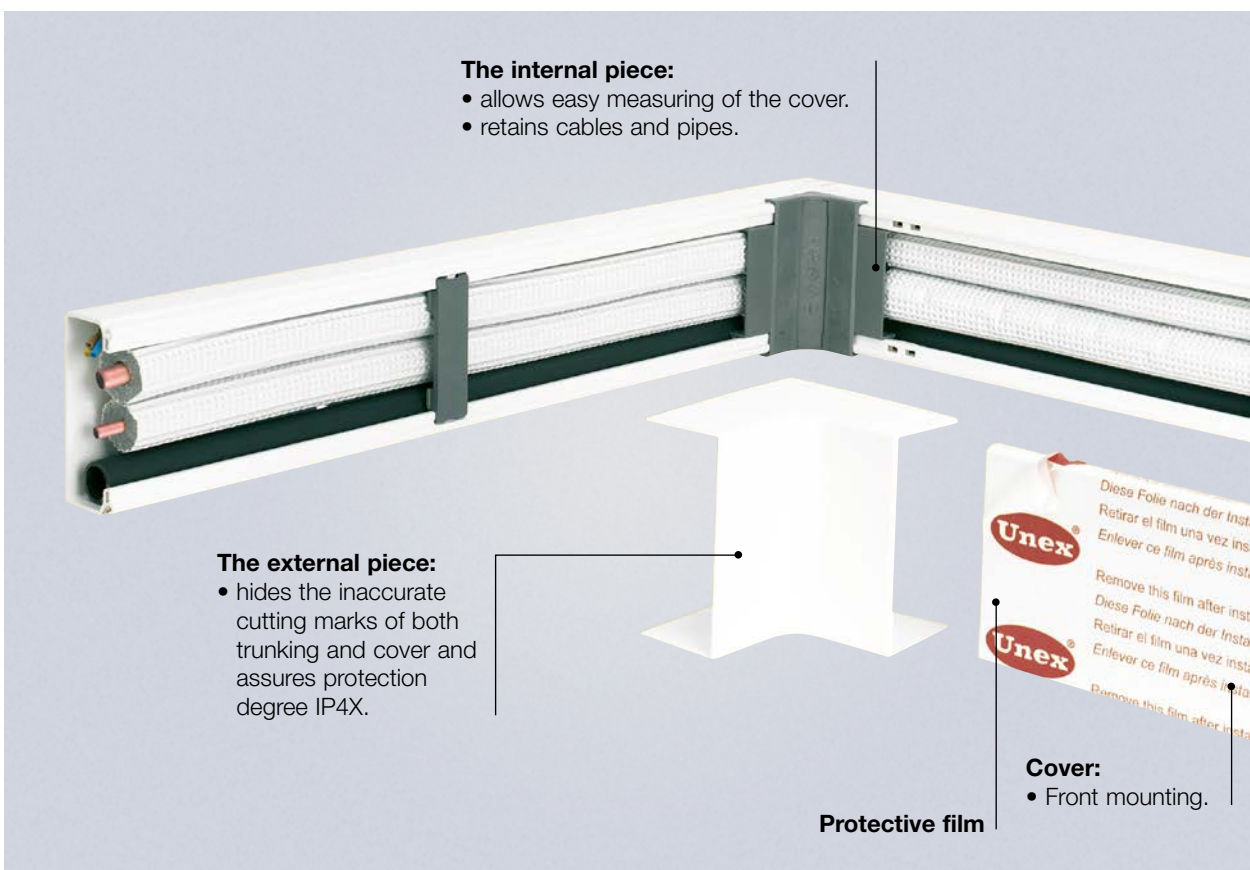


Trunking plug

Retainer

Pre-mounted cable and pipe holder.

Fittings



The internal piece:

- allows easy measuring of the cover.
- retains cables and pipes.

The external piece:

- hides the inaccurate cutting marks of both trunking and cover and assures protection degree IP4X.




Protective film

Cover:




- Front mounting.

30 **U23X** White

Trunking

		Trunking sizes (mm)	
		30x40	40x60
	<div style="border: 1px solid black; border-radius: 10px; padding: 2px; display: inline-block;">White</div> RAL 9010 (Part no. 30XXX-2) (Part no. 73XXX-2)		
	Trunking 2 m	73110-2	30021-2


Fittings in **U24X**

	Flat angle	73210-2	73221-2
	External angle	73260-2	73271-2
	Internal angle	73310-2	73321-2
	End cover	73360-2	73371-2
	Joint cover piece	73510-2	73521-2
	Straight derivation Branching to a trunking of equal height		73421-2

Accessories in **U24X**

	Retainer	73850	70064
---	-----------------	--------------	--------------

Fixing elements in **U63X**

	Trunking plug Note: Use drill bit Ø6 mm.	25106
---	--	--------------

Note: Trunkings with perforated base every 250 mm. A pre-mounted retainer is included every 0.5m.

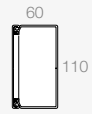


40x90

60x60

60x90

60x110



30022-2

30031-2

30032-2

30033-2

73222-2

73231-2

73232-2

73233-2

73272-2

73281-2

73282-2

73283-2

73322-2

73331-2

73332-2

73333-2

73372-2

73381-2

73382-2

73383-2

73522-2

73531-2

73532-2

73533-2

73422-2

73432-2

73433-2

70094

70064

70094

70114

25106

See next page

Installation possibilities of several types of pipes

		Copper tube + insulation thickness 9 mm. or pre-insulated copper tube				
		40x60	40x90	60x60	60x90	60x110
Cooper tubes combinations						
Liquid	Gas	30021-2	30022-2	30031-2	30032-2	30033-2
 1x1	1/4" / 3/8"					
	1/4" / 1/2"					
	1/4" / 5/8"					
	3/8" / 5/8"					
	3/8" / 3/4"					
 2x1	1/4" / 3/8"					
	1/4" / 1/2"					
	1/4" / 5/8"					
	3/8" / 5/8"					
	3/8" / 3/4"					
 3x1	1/4" / 3/8"					
	1/4" / 1/2"					
	1/4" / 5/8"					
	3/8" / 5/8"					
	3/8" / 3/4"					

Pipe pair (liquid-gas)	Waste pipe Ø20 mm.	The pipes insulator must be compressed	Recommended installation	⚠ Only for straight sections

NOTE: Trunking part no. 73110-2 (30x40) is suitable to carry waste and cooling pipes separately.
 Data contained in this table are merely indicative.
 Unex aparellaje eléctrico, S.L. disclaims all responsibility due to the use of this table.
 This table results from Unex aparellaje eléctrico, S.L. technical department's research. Its total or partial reproduction without express consent from Unex aparellaje eléctrico, S.L. is forbidden.