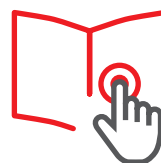




Unex Trut

60

Product family information



**100% recycled halogen free
thermoplastic component**

U48X 

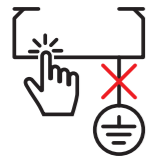
Support elements compatible
with Insulating cable ladders 67
and Insulating cable tray 66

Insulating material: no earthing required nor
equipotential connection.

Suitable for outdoor and indoor use.

Technical characteristics

ELECTRICAL



No earthing required.

OUTDOORS



Good performance with exposure to UV rays and weather.

CORROSION / CHEMICAL ENVIRONMENT



Humid and saline corrosion: inherently resistant to corrosion.
In chemical environment: chemical resistance against different substances defined by the standard depending on the concentration and temperature. (see data sheet).

SERVICE TEMPERATURE



-20°C / +60°C

LOAD



Safe working load: see data sheet

IN FRONT OF FIRE



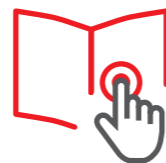
Non flame propagating.

CE MARKING



Insulating strut channel. Conformity with standard EN 61537:2007.

For more detailed information see data sheet



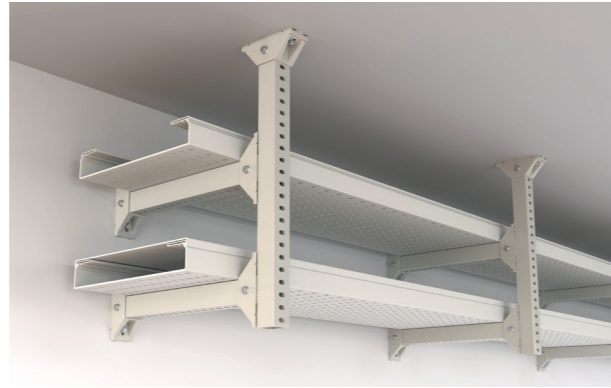
Conformity declaration



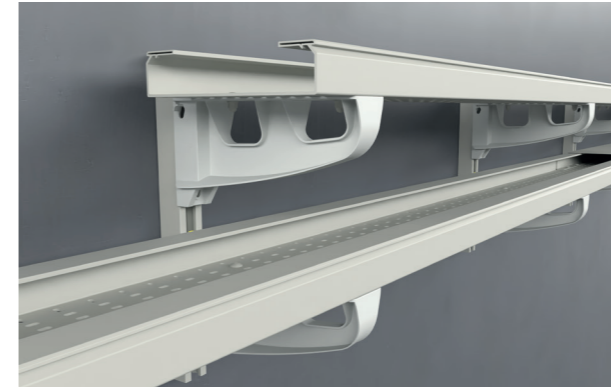
Unex Trut 60 range: Types of mounting



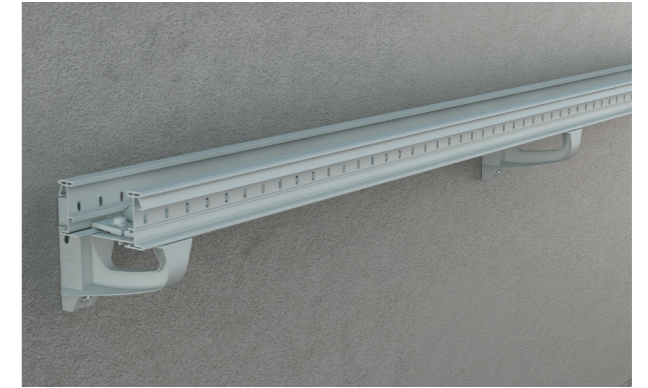
Ceiling H frame support



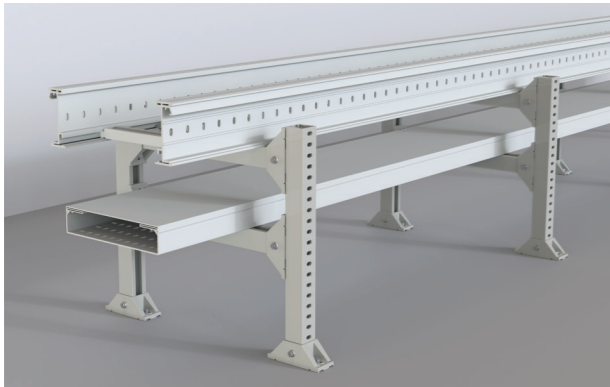
Ceiling corner support



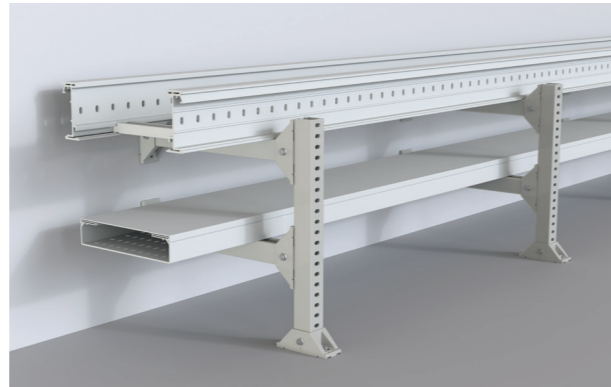
Horizontal supports with insulating strut channel



Directly to the wall



Floor H frame support



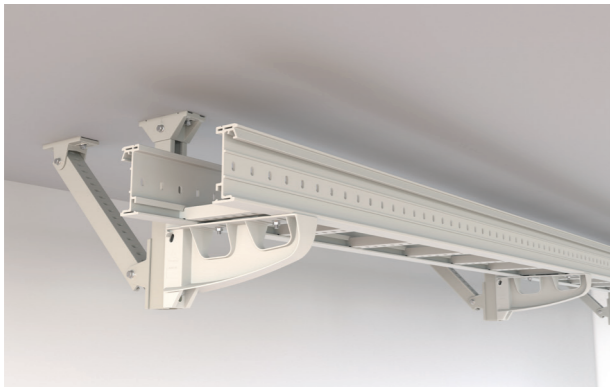
Floor corner support



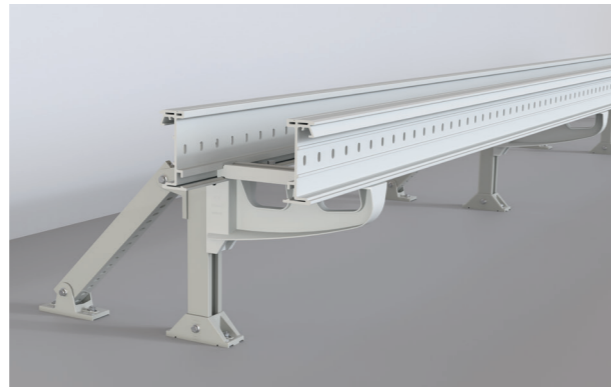
Directly onto the wall with cable cleat



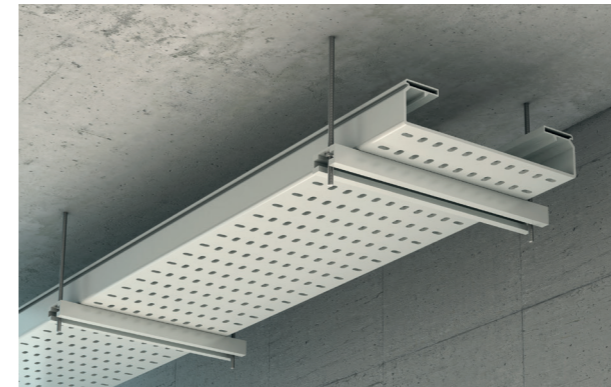
Directly onto the wall with a Spring Channel Nut



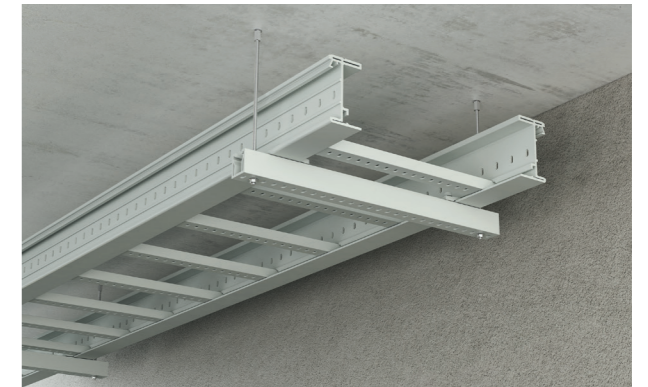
Reinforced pendant support for cable ladders



Reinforced pillar support for cable ladders



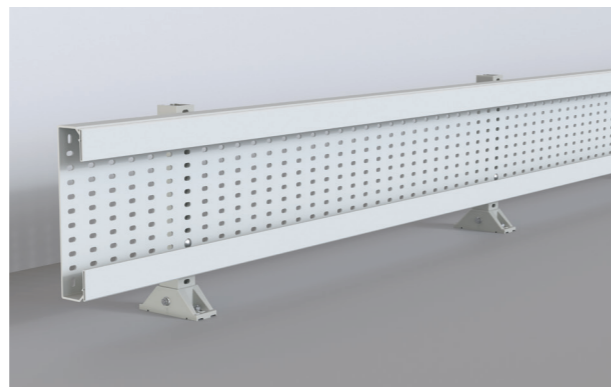
From the ceiling with threaded rods



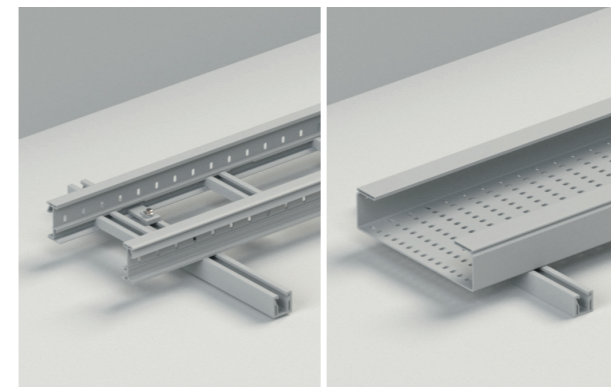
From the ceiling with threaded rods



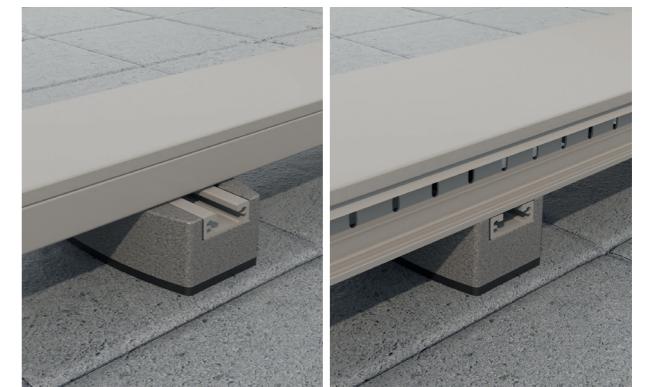
Pendant support for cable tray



Pillar support for cable tray



Directly onto the floor



Rooftop support onto the floor

UNEX TRUT 60

Insulating strut channel

	<p>Insulating strut channel</p> <p>U48X Grey</p>	<p>60204-44</p>
--	---	------------------------

Parts for insulating strut channel

	<p>Fixed strut connector 50x50</p> <p>U48X Grey</p>	<p>60840-44</p>
	<p>Variable strut connector 50x50</p> <p>U48X Grey</p>	<p>60850-44</p>
	<p>Nuts and bolts (M8 DIN 6921)</p>	<p>66879-C6</p>
	<p>Nuts and bolts (M8 DIN 6921)</p>	<p>66879-A4</p>
	<p>Strut lock 50</p> <p>U48X Grey</p>	<p>60810-44</p>

NEW

Types of mounting

Ceiling or floor H frame supports with fixed connector

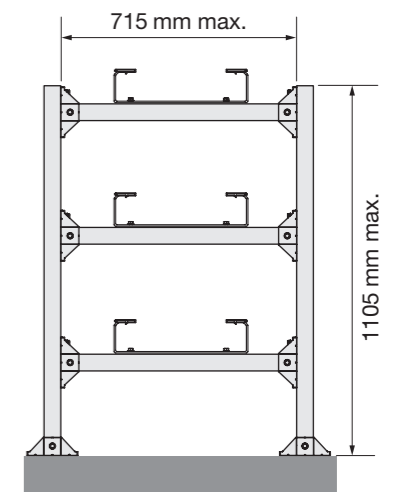
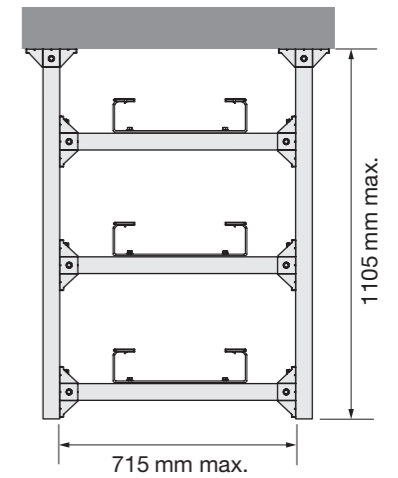
Solution valid for both Insulating cable tray 66 and Insulating cable ladder 67.

The maximum height of the Insulating strut channel in this mounting is 1105 mm and 715 mm wide, from the ceiling and from the floor.

The type of tray to be installed determines the distance between supports.

Up to 3 levels can be mounted.

When constructing 3-level H frame with the Insulating cable ladder 67 height 135 mm, the maximum distance between supports is 2 m.



Insulating connector 60. Types of mounting

The corner support from ceiling or floor with fixed connector

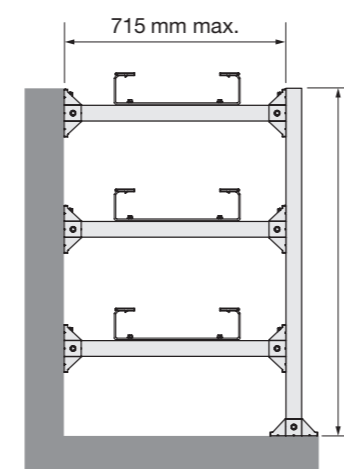
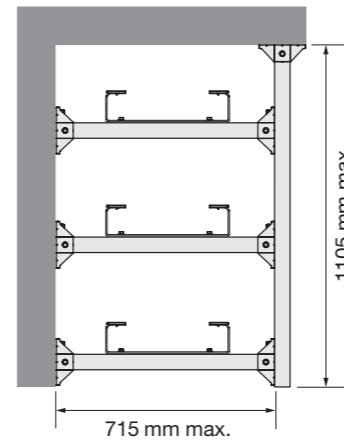
Solution valid for both Insulating tray 66 and Insulating cable ladder 67.

The maximum height of the insulating strut channel in this mounting is 1105 mm and 715 mm wide, from the ceiling and from the floor.

The type of tray to be installed determines the distance between supports.

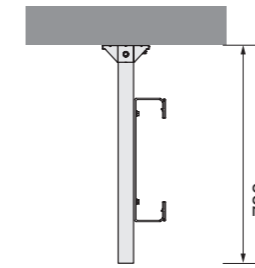
Up to 3 levels can be mounted.

When constructing 3-level corner support frames with the Insulating cable ladder 67, height 135 mm, the maximum distance between supports is 2 m.



Pendant support

Solution valid for any dimension of Insulating tray 66.



The maximum height of the insulating strut channel in this mounting is 700 mm from the ceiling.

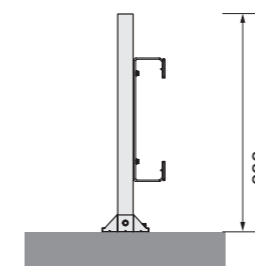
The maximum distance between supports is:

Raw materials	U23X U48X	
Temperature	≤ 40°C	≤ 60°C
Maximum distance between supports	1.5 m	1 m



Pillar support

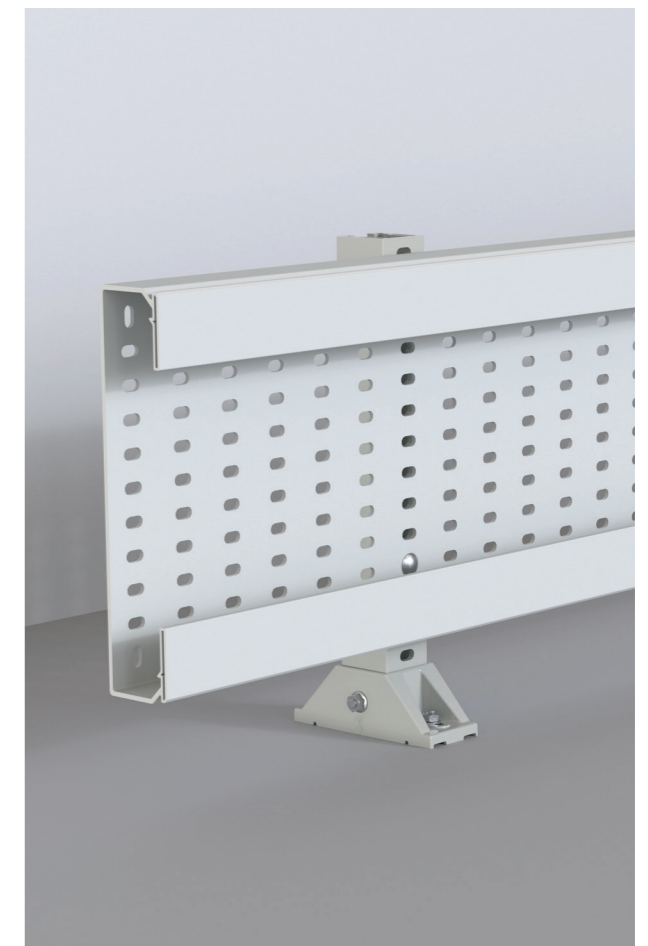
Valid solution for Insulating tray 66 up to 300 mm wide.



The maximum height of the insulating strut channel in this mounting is 380 mm from the floor.

The maximum distance between supports is:

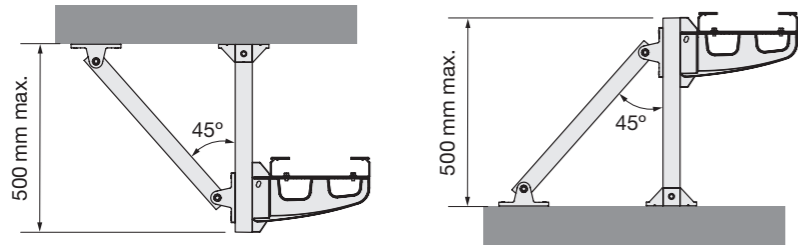
Raw materials	U23X U48X	
Temperature	≤ 40°C	≤ 60°C
Maximum distance between supports	1.5 m	1 m



Insulating connector 60. Types of mounting

Reinforced pendant or pillar with horizontal support

This solution is suitable for both Insulating tray 66 and Insulating ladder 67 up to a width of 300 mm.

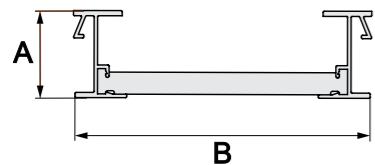


The maximum height of the Insulating strut channel in this installation is 500 mm, both from the ceiling and from the floor.

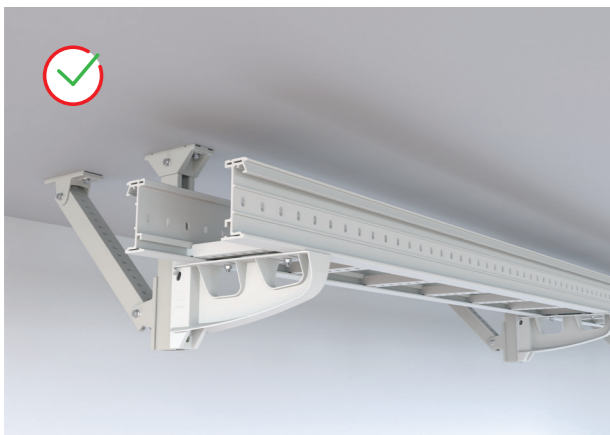
For Insulating cable trays 66 the distance between supports is:

	Raw materials	U23X U48X	
	Temperature	≤40°C	≤60°C
	Maximum distance between supports	1.5 m	1 m

For insulating cable ladders 67 the distance between supports is:



	Raw materials	U23X		U48X		
	Dimensions AxB max. (mm)	85x300	135x300	85x300	135x300	
	Maximum distance between supports	40°C	2 m	2 m	2 m	2 m
	Maximum distance between supports	60°C	1.5 m	2 m	2 m	2 m



It is of utmost importance to keep the reinforcement correctly in place in the cases previously described.

The installation has to be carried out according to the mounting instructions available on the website: unex.net

Only the mountings described in these instructions are permitted. For any other type of mounting, please consult us:

Technical assistance on technical_assistance@unex.net



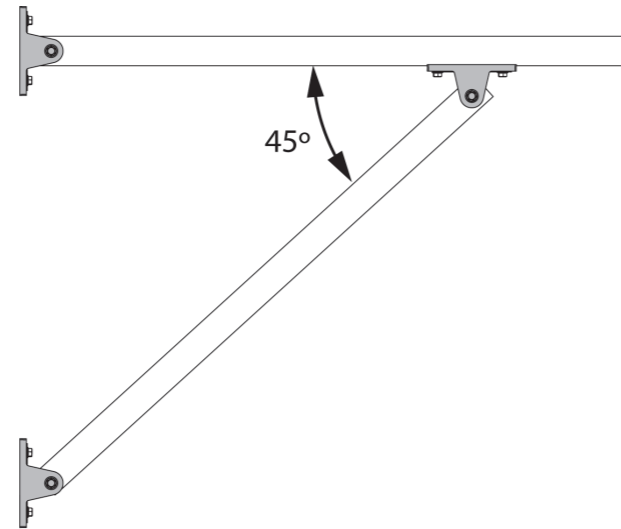
Insulating connector 60. Types of mounting

Mounting on vaulted walls

Solution valid for both Insulating tray 66 and Insulating ladder 67, up to a width of 300 mm.

The radius of curvature of the wall is absorbed using 3 variable connectors.

The angle of the reinforcement has to be 45°:



The type of tray to be installed determines the distance between supports.



It is of utmost importance to keep the reinforcement correctly in place in the cases described above.

The installation has to be carried out according to the mounting instructions available on the website: unex.net



Only the mountings described in these instructions are permitted. For any other type of mounting, please consult us:

Technical assistance on technical_assistance@unex.net